

LIGHTIGO

3-Axes Motorized Stage

With micrometer precision and
automated features

Do not waste your time with the manual sample manipulation, which is slow, inaccurate, and hardly repeatable.

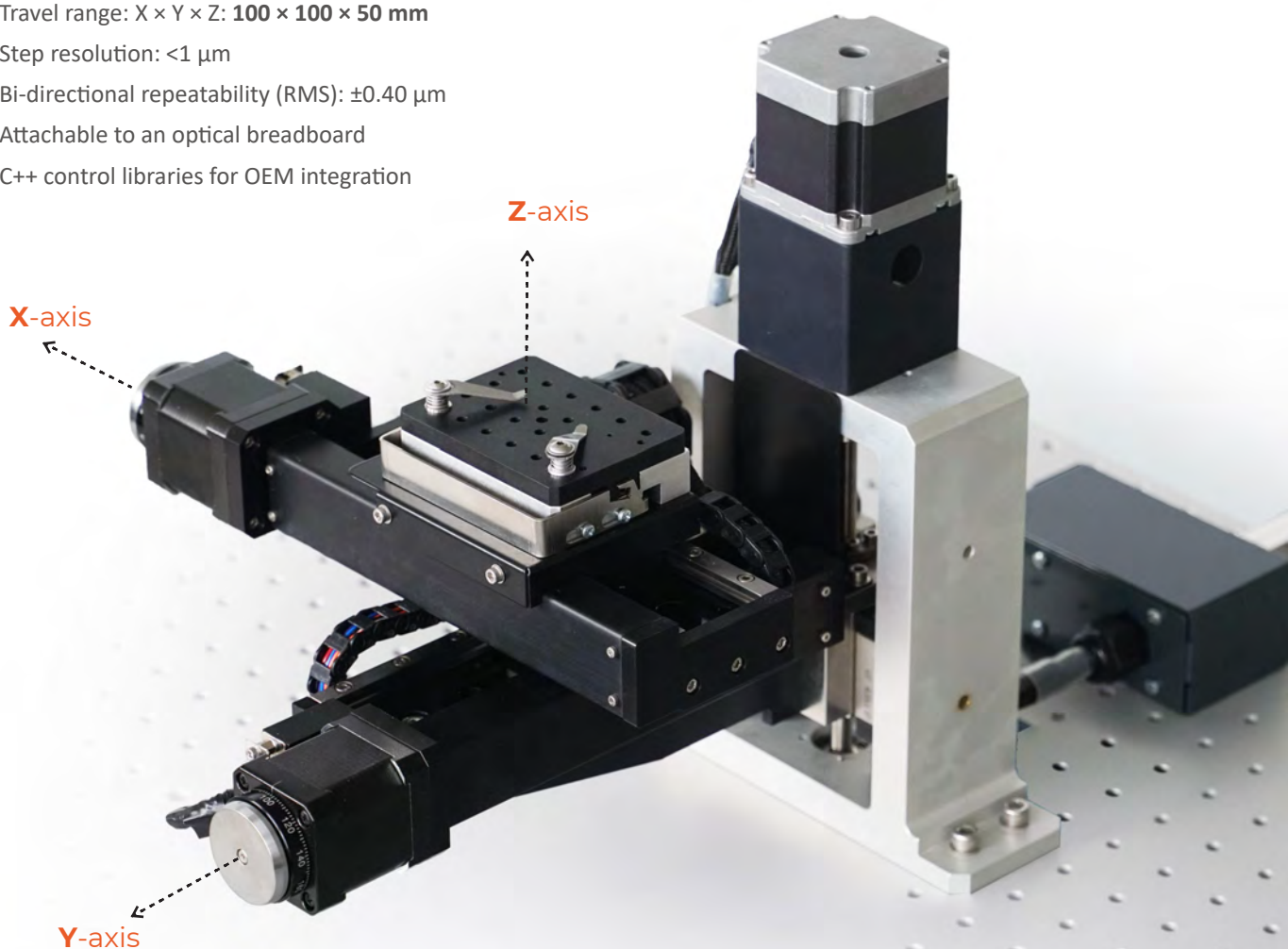
3-axis motorized stage is beneficial for any application where frequent sample movement is required: optical microscopy, analytical techniques (Raman, LA-ICP, XRF, LIBS, ...), material processing methods, and many others.

Key parameters

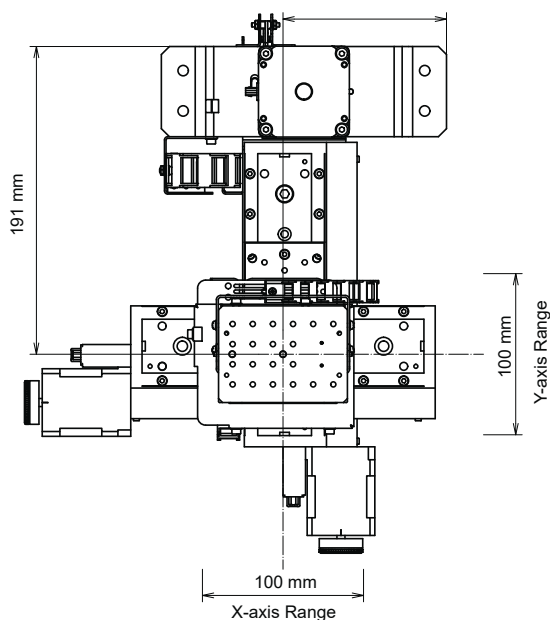
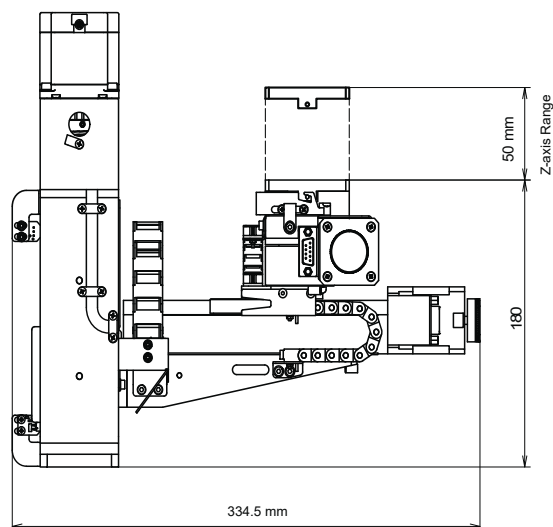
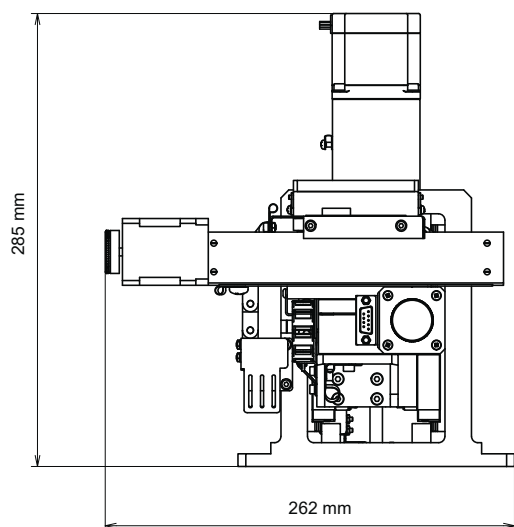
- Travel range: X × Y × Z: **100 × 100 × 50 mm**
- Step resolution: <math><1 \mu\text{m}</math>
- Bi-directional repeatability (RMS): $\pm 0.40 \mu\text{m}$
- Attachable to an optical breadboard
- C++ control libraries for OEM integration

Software features

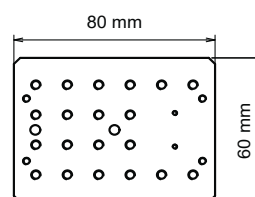
- Relative / absolute movement to a coordinate
- Automated movement to series of coordinates for mapping (chemical imaging)
- Batch import / export coordinates
- Wait time and Trigger-out after reaching set coordinate



Dimensions



Sample holder adaptor



Whats included?

- 3-axes motorized stage
- Control electronics
- Control software
- Operation Manual
- Sample holders



2x30 mm pellet holder



50 mm pellet holder



Universal clamp holder



12x12 mm pellet holder